

PART NAME

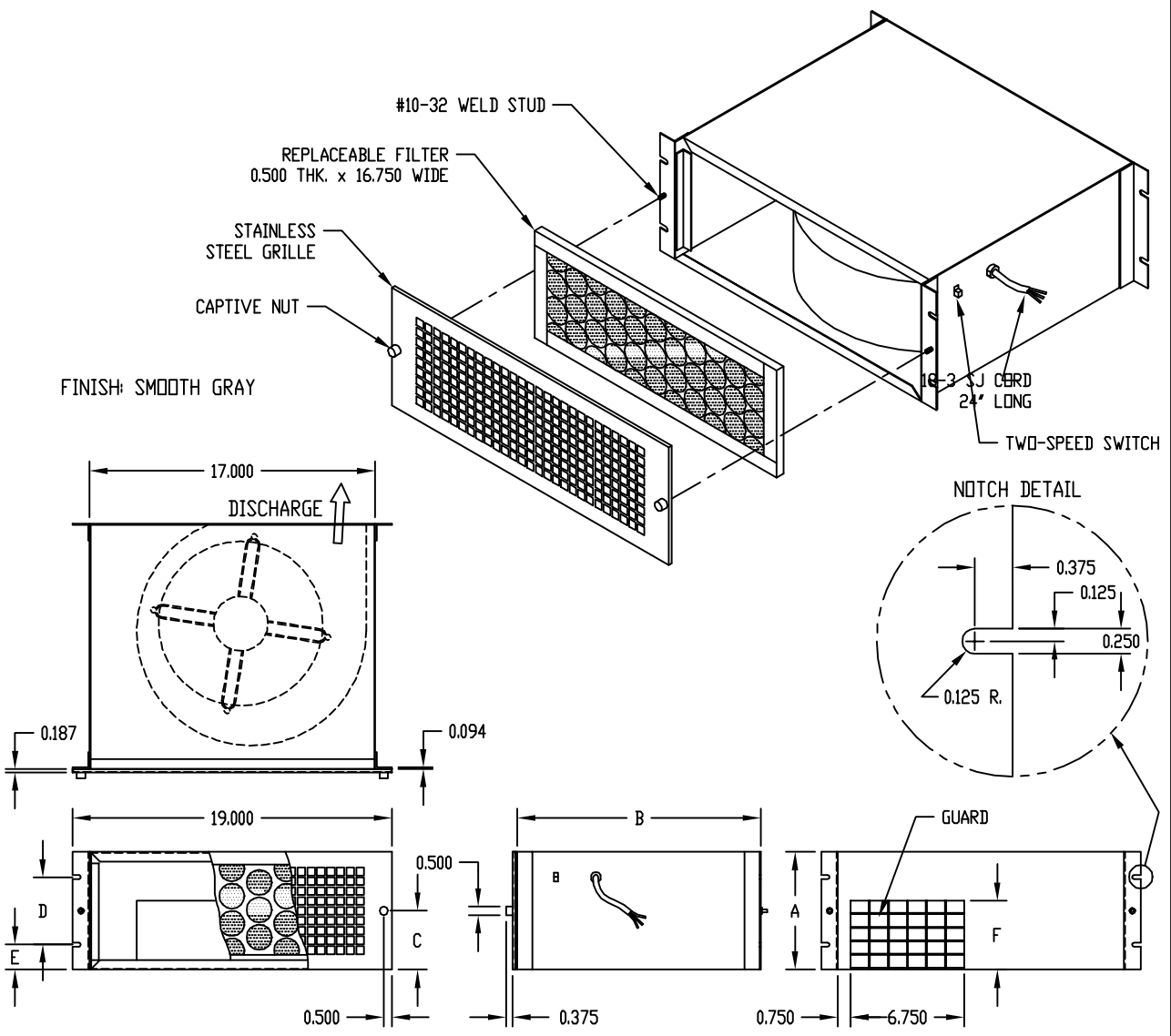
BLOWER

PART No.

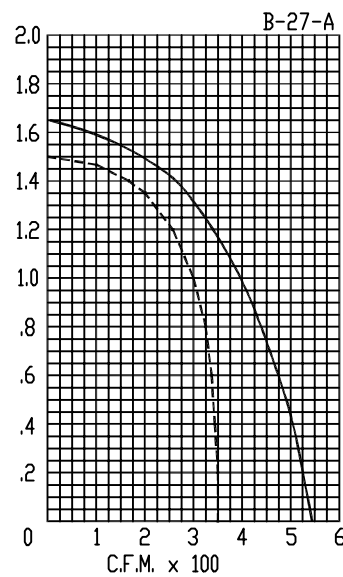
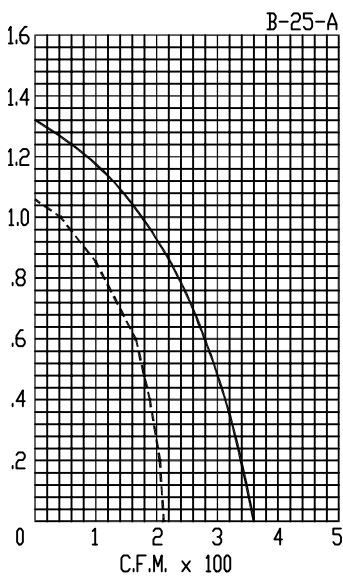
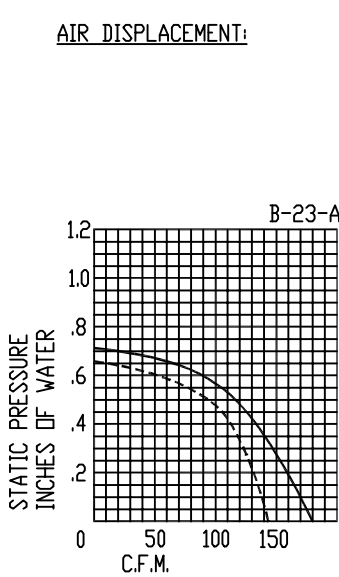
B-23-A

B-25-A

B-27-A



AIR DISPLACEMENT:



HI-SPEED 60HZ — LO SPEED 60HZ ----

* NOMINAL AIR FLOW AT "D" STATIC PRESSURE

PART NO.	A	B	C	D	E	F	POWER	C.F.M. * 60 HZ	R.P.M.	WATTS	FILTER
B-23-A	3.500	12.000	1.750	3.000	0.250	2.300	115 VAC	125	1400/1150	150/60	BF-24
B-25-A	5.250	14.500	2.625	2.250	1.500	4.110		125	1135/675	410/225	BF-26
B-27-A	7.000	14.500	3.500	4.000	1.500	4.110		300	1350/825	580/370	BF-28